

AXIS M10 Network Camera Series

Smallest and smartest network cameras from the market leader.



- > Easy and flexible installation
- > PIR sensor and illumination LED
- > Microphone, speaker and I/O ports
- > Wireless capabilities
- > Memory card slot

AXIS M10 Series offers small and smart cameras, ideal for securing locations such as small businesses, boutiques, restaurants, hotels or residences. These intuitive and dependable cameras offer best-in-class image quality and professional monitoring capabilities.

AXIS M10 Network Cameras with their functional and smart design offer a high quality yet affordable video surveillance solution. Using progressive scan technology, the cameras provide VGA or HDTV (AXIS M1004-W, AXIS M1014, AXIS M1034-W and AXIS M1054) images.

AXIS M10 Series is designed for easy and flexible installation. AXIS M1011-W, AXIS M1004-W, AXIS M1033-W and AXIS M1034-W offer the choice of either a wireless or a wired connection to the network. The latter three models feature Wi-Fi Protected Setup protocol, which simplifies the process of configuring logical security on wireless networks. AXIS M1054 can be powered either over Ethernet or by power supply.

AXIS M1033-W, AXIS M1034-W and AXIS M1054 feature an integrated PIR sensor for detecting movement even in the dark, and a white LED for illuminating the scene at an event. AXIS M1004-W, AXIS M1033-W, AXIS M1034-W and AXIS M1054 additionally supports one input and one output port for connecting external devices.

AXIS M1033-W, AXIS M1034-W and AXIS M1054 provide two-way audio support with built-in microphone and speaker, allowing remote listening in on an area, as well as communication with individuals directly or using uploaded or recorded audio clips.



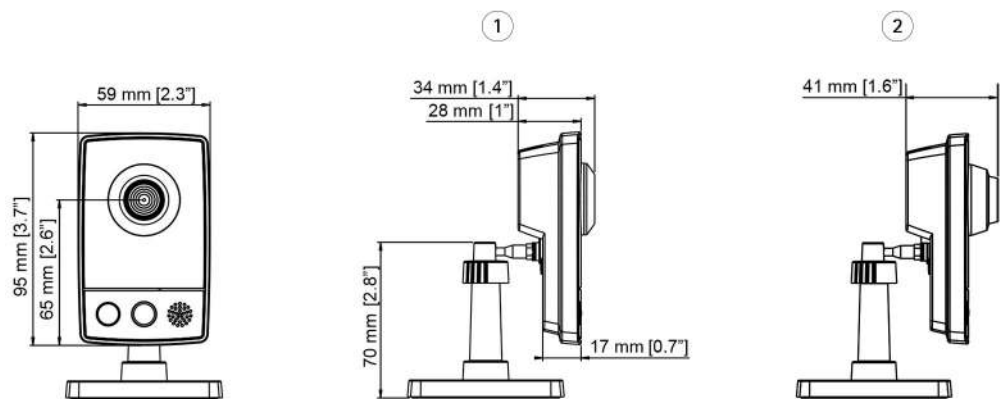
Model Specifications – AXIS M10 Network Camera Series

	Adjustable focus	Audio	Wireless	Wi-Fi Protected Setup™ PBC compatible	Memory card	PIR sensor White LED	I/O ports	PoE support
AXIS M1004-W	✓		IEEE 802.11b/g/n	✓			✓	
AXIS M1011-W			IEEE 802.11b/g					
AXIS M1013	✓				✓			
AXIS M1014	✓				✓			
AXIS M1033-W	✓	✓	IEEE 802.11b/g/n	✓		✓	✓	
AXIS M1034-W	✓	✓	IEEE 802.11b/g/n	✓		✓	✓	
AXIS M1054		✓				✓	✓	✓

Dimensions

1. AXIS M1011-W

2. AXIS M1004-W, AXIS M1013,
AXIS M1014, AXIS M1033-W,
AXIS M1034-W, AXIS M1054



Optional accessories

1. AXIS PoE Active Splitter 5 V AF (all models except AXIS M1054)
2. AXIS T8414 Installation Display
3. AXIS P8221 Network I/O Audio Module



Technical Specifications - AXIS M10 Network Camera Series

Models	AXIS M1004-W: Wired and wireless interface, I/O ports AXIS M1011-W: Wired and wireless interface AXIS M1013/M1014: Wired interface AXIS M1033-W/M1034-W: Wired and wireless interface, PIR sensor, illumination LED, audio, I/O ports AXIS M1054: Power over Ethernet, PIR sensor, illumination LED, audio, I/O ports	Video	
Camera		Video compression	AXIS M1011-W: H.264 Baseline (MPEG-4 Part 10/AVC), MPEG-4 Part 2 (ISO/IEC 14496-2), Motion JPEG AXIS M1004-W/M1013/M1014/M1033-W/M1034-W: H.264 Main Profile (MPEG-4 Part 10/AVC), Motion JPEG AXIS M1054: H.264 Baseline (MPEG-4 Part 10/AVC), Motion JPEG
Image sensor	AXIS M1011-W: 1/4" progressive scan RGB CMOS AXIS M1004-W/M1013/M1014/M1033-W and AXIS M1034-W/M1054: 1/4" progressive scan RGB CMOS	Resolutions	AXIS M1011-W: 640x480 to 160x120 AXIS M1013/M1033-W: 800x600 to 320x240 AXIS M1004-W/M1014/M1034-W: 1280x800 to 320x240 AXIS M1054: 1280x800 to 160x90
Lens	AXIS M1011-W: 4.4 mm: 47° view ^a , F2.0, fixed iris, fixed focus AXIS M1013/M1033-W: 2.8 mm: 67° view ^a , F2.0, fixed iris, adjustable focus AXIS M1004-W/M1014/M1034-W: 2.8 mm: 80° view ^a , F2.0, fixed iris, adjustable focus AXIS M1054: 2.9 mm: 84° view ^a , F2.0, fixed iris, fixed focus	Frame rate	H.264: 30 fps in all resolutions Motion JPEG: 30 fps in all resolutions (performance may be reduced in wireless mode) AXIS M1011-W, MPEG-4 Part 2: 30 fps in all resolutions
Light sensitivity	AXIS M1011-W: 1-10000 lux, F2.0 AXIS M1004-W/M1013/M1014/M1033-W and AXIS M1034-W/M1054: 1.2-10000 lux, F2.0 AXIS M1033-W/M1034-W/M1054: 0 lux with illumination LED on	Video streaming	Multiple, individually configurable streams in H.264 and Motion JPEG, as well as MPEG-4 Part 2 with AXIS M1011-W Controllable frame rate and bandwidth, VBR/CBR H.264, MPEG-4 Part 2
Shutter time	AXIS M1011-W: 1/5000 s to 1/4 s AXIS M1004-W/M1013/M1014/M1033-W/M1034-W: 1/8000 s to 1/6 s AXIS M1054: 1/25000 s to 1/6 s	Image settings	AXIS M1011-W/M1054: Compression, Color, Brightness, Sharpness, Contrast, White balance, Exposure control, Exposure zones, Backlight compensation, Rotation, Text and image overlay, Privacy mask AXIS M1004-W/M1013/M1014/M1033-W/M1034-W: Compression, Color, Brightness, Sharpness, Contrast, White balance, Backlight Compensation, Rotation, Text and image overlay, Privacy mask AXIS M1004-W/M1013/M1014/M1033-W and AXIS M1034-W/M1054: Mirroring, Axis' Corridor Format
Pan/Tilt/Zoom	AXIS M1013/M1014/M1033-W/M1034-W: Digital PTZ AXIS M1004-W/M1054: Digital PTZ, Preset positions, Guard tour		

Audio	
Audio streaming	AXIS M1033-W/M1034-W/M1054: Two-way
Audio compression	AXIS M1033-W/M1034-W/M1054: AAC-LC 8/16 kHz, G.711 PCM 8 kHz, G.726 ADPCM 8 kHz Configurable bit rate
Audio input/output	AXIS M1033-W/M1034-W/M1054: Built-in microphone (can be disabled) and speaker
Network	
Wireless interface	Internal antenna AXIS M1011-W: IEEE 802.11b/g AXIS M1004-W/M1033-W/M1034-W: IEEE 802.11b/g/n
Security	Password protection, IP address filtering, HTTPS ^b encryption, IEEE 802.1X ^b network access control, Digest authentication, User access log AXIS M1004-W/M1011-W/M1033-W/M1034-W: WEP 64/128 bit, WPA/WPA2-PSK, WPA, WPA2 Enterprise AXIS M1004-W/M1033-W/M1034-W: WLAN pairing button (Wi-Fi Protected Setup™ PBC compatible)
Supported protocols	IPv4/v6, HTTP, HTTPS ^b , SSL/TLS ^b , QoS Layer 3 DiffServ, FTP, CIFS/SMB (not supported in AXIS M1011-W), SMTP, Bonjour, UPnP, SNMPv1/v2c/v3 (MIB-II), DNS, DynDNS, NTP, RTSP, RTP, TCP, UDP, IGMP, RTCP, ICMP, DHCP, ARP, SOCKS
System integration	
Application Programming Interface	Open API for software integration, including VAPIX [®] ; specifications at www.axis.com AXIS Video Hosting System (AVHS) with One-Click Camera Connection. ONVIF Profile S; specifications at www.onvif.org AXIS M1004-W/M1054: AXIS Camera Application Platform; specifications at www.axis.com
Intelligent video	Video motion detection, Active tampering alarm AXIS M1033-W/M1034-W/M1054: Audio detection AXIS M1004-W/M1054: AXIS Camera Application Platform enabling installation of additional applications
Event triggers	Intelligent video AXIS M1004-W: External input AXIS M1033-W/M1034-W/M1054: External input, built-in PIR
Event actions	File upload: FTP, HTTP, network share and email Notification: email, HTTP and TCP Pre- and post-alarm video buffering AXIS M1004-W: External output activation AXIS M1013/M1014: Video recording to edge storage AXIS M1033-W/M1034-W/M1054: External output activation, Video and audio recording to edge storage, Activation of illumination LED, Audio clip playback
Data streaming	Event data
Built-in installation aids	Pixel counter
General	
Casing	Color: white NCS S 1002-B AXIS M1004-W/M1011-W/M1013/M1014 and AXIS M1033-W/M1034-W: Polycarbonate AXIS M1054: Aluminium and polycarbonate
Memory	AXIS M1011-W: 64 MB RAM, 32 MB Flash AXIS M1004-W/M1013/M1014/M1033-W/M1034-W: 256 MB RAM, 128 MB Flash AXIS M1054: 128 MB RAM, 128 MB Flash

Power	4.9–5.1 V DC, max. 2.2 W AXIS M1054: Power over Ethernet IEEE 802.3af Class 2 (max. 6.49 W)
Connectors	DC jack, RJ45 10BASE-T/100BASE-TX AXIS M1004-W/M1033-W/M1034-W/M1054: 1 alarm input and 1 output
Edge storage	AXIS M1013/M1014: MicroSD/microSDHC/microSDXC slot supporting memory card up to 64 GB (card not included) AXIS M1004-W/M1013/M1014/M1033-W and AXIS M1034-W/M1054: Support for recording to network share (Network Attached Storage or file server)
PIR sensor	AXIS M1033-W/M1034-W/M1054: Passive infrared (PIR) motion sensor with configurable sensitivity. Max. range: 6 m
Illumination LED	AXIS M1033-W/M1034-W/M1054: White illumination LED: 1 W, Class 1M
Operating conditions	AXIS M1011-W: 0 °C to 50 °C (32 °F to 122 °F) AXIS M1004-W/M1013/M1014/M1033-W and AXIS M1034-W/M1054: 0 °C to 40 °C (32 °F to 104 °F) Humidity 20–80% RH (non-condensing)
Approvals	AXIS M1011-W: C-tick, KCC, EN 301489-1, EN 301489-17, EN 300328, FCC Part 15 Subpart B and C Class B, RSS-210, SRRC, TELEC, EN 60950-1 AXIS M1013/M1014/M1054: EN 55022 Class B, EN 61000-3-2, EN 61000-3-3, EN 55024, FCC Part 15 Subpart B and C Class B, ICES-003 Class B, VCCI Class B, C-tick CISPR 22, KC Class B, EN 60950-1 AXIS M1004-W/M1033-W/M1034-W: EN 55022 Class B, EN 61000-3-2, EN 61000-3-3, EN 55024, FCC Part 15 Subpart B and C Class B, ICES-003 Class B, VCCI Class B, ITI C-tick AS/NZS CISPR 22, KCC KN22 Class B, KN24, EN 62311:2008, EN 301489-1, EN 301489-17, EN 300328, RSS-210, TELEC, AS/NZS 4771, EN 60950-1, IEC/EN 62741 (risk group 1) AXIS M1004-W: SRRC, NCC Power supply: EN 60950-1, cCSAus
Weight	AXIS M1004-W: 111 g (0.24 lb) AXIS M1011/-W: 94 g (0.21 lb) AXIS M1013/M1014: 110 g (0.24 lb) AXIS M1033-W/M1034-W: 118 g (0.26 lb) AXIS M1054: 156 g (0.34 lb)
Included accessories	Power supply, Stand and clamp, Installation/Quick Guide, Installation and Management Software CD, Windows decoder 1-user license AXIS M1033-W/M1034-W/M1054: Extension for stand: 100 mm (4.0")
Video management software	AXIS Camera Companion (included), AXIS Camera Station and video management software from Axis' Application Development Partners (not included). For more information, see www.axis.com/products/video/software

- a. *Horizontal angle of view*
b. *This product includes software developed by the OpenSSL Project for use in the OpenSSL Toolkit (<http://www.openssl.org/>), and cryptographic software written by Eric Young (ey@cryptsoft.com).*

More information is available at www.axis.com